

# TB-Series

*BILL ACCEPTORS*

Installation Guide



Thank you for choosing TOP VME .



# Contents

---

<b>1.Introduction.....</b>	<b>1</b>
1-1.Overview.....	1
1-2.Features.....	1
<b>2.Specifications.....</b>	<b>2</b>
<b>3.Packing List.....</b>	<b>3</b>
<b>4.Dimension.....</b>	<b>4</b>
<b>5.Installation.....</b>	<b>8</b>
5-1.Harness Application.....	8
5-2.I/O Circuit.....	13
5-3.Software download.....	15
<b>6.Maintenance.....</b>	<b>16</b>
<b>7.Troubleshooting.....</b>	<b>17</b>

# 1.Introduction

## 1-1.Overview

The TB-Series is the latest generation of banknote reader designed exclusively by TOPVME with the highest safety and acceptance rate have over 96%. The new identification method and identification technology been improved to provide users with the most complete functions.

## 1-2.Features

- Accept bills on all sides
- High banknote acceptance rate
- High security mechanism design
- Support multiple communication protocols
- Lightweight and easy to use
- Easy maintenance
- Electronic anti-fishing

---

## 2. Specifications

### General

Acceptance Rate	96% or greater
Transaction Time	Approx. 1.5 ~ 2 seconds
Interface	Pulse/RS232 or Pulse/ccTalk or Pulse/TOP101
Installation Site	Indoor
Bill Insertion	Four way acceptable

### Electronic

Power Source	12V DC $\pm$ 10%
Power Consumption	Standby : 0.1~0.16A , 1.2W~1.9W Operation Current : 0.5A , 6W Maximum : 1.2A , 14.4W
Operating temperature	Operating Temperature: 0°C~60°C Storage Temperature: -10°C~80°C Humidity: 20%~70%RH (no condensation)

### Machine

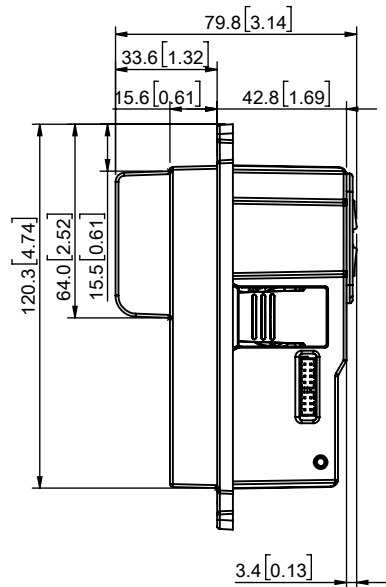
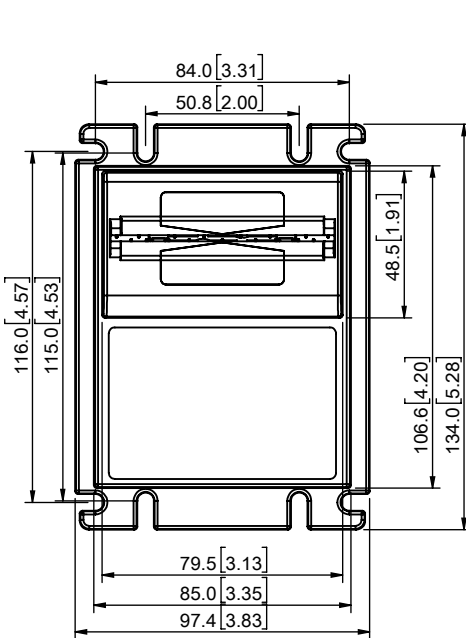
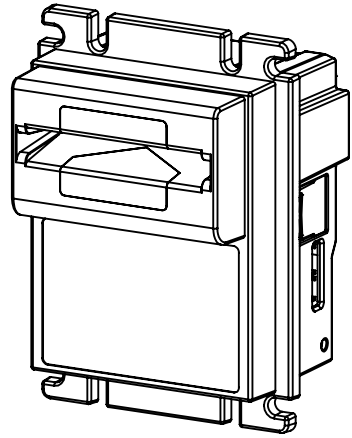
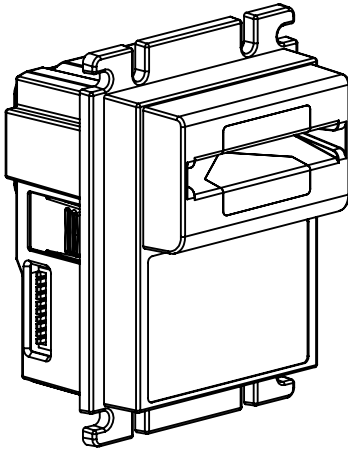
Weight	310 g $\pm$ 10g
Outline Dimension	Please refer to Chapter 4.Dimension
Bill Acceptor Width	TB74 : 62 mm ~ 74 mm TB74-U : 62 mm ~ 74 mm TB74-B : 62mm ~ 74mm TB77 : 62 mm ~ 77 mm TB77-U : 62 mm ~ 77 mm

### **3.Packing List**

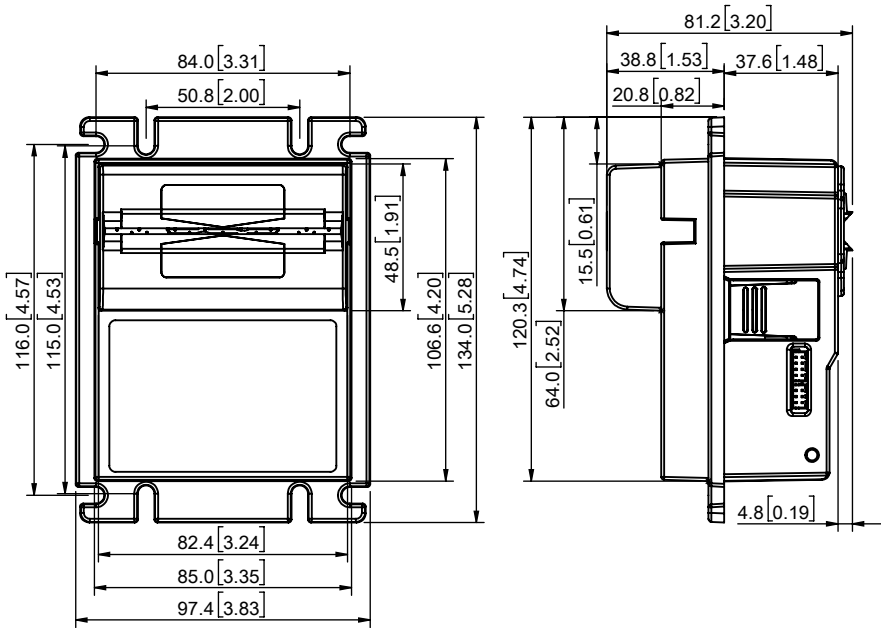
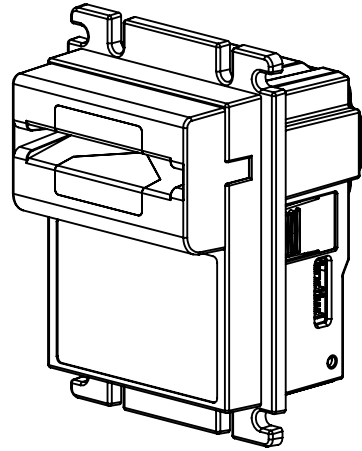
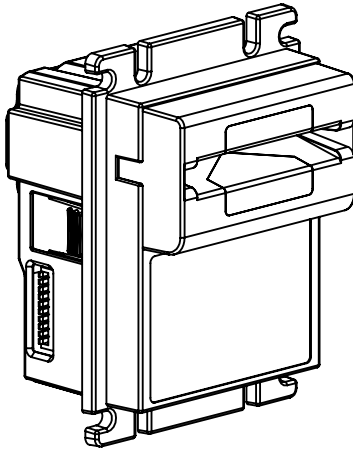
Main.....	Bill Acceptor x 1
Accessories.....	Metal frame x 1 · Screw set x1(Purchase) Bezel sticker x1 Installation guide x1 DIP Switch setting guide Harness (Please refer to 5-1 Harness Application)

# 4.Dimension

TB74

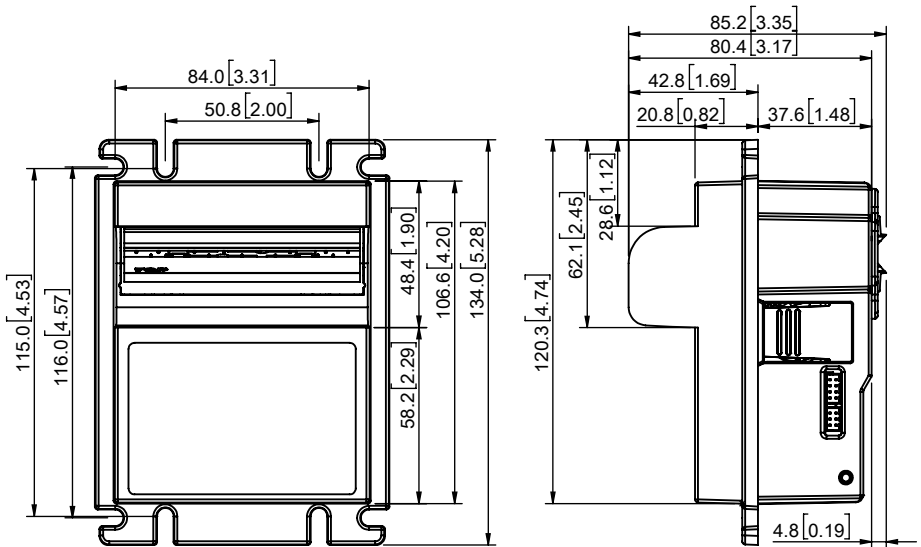
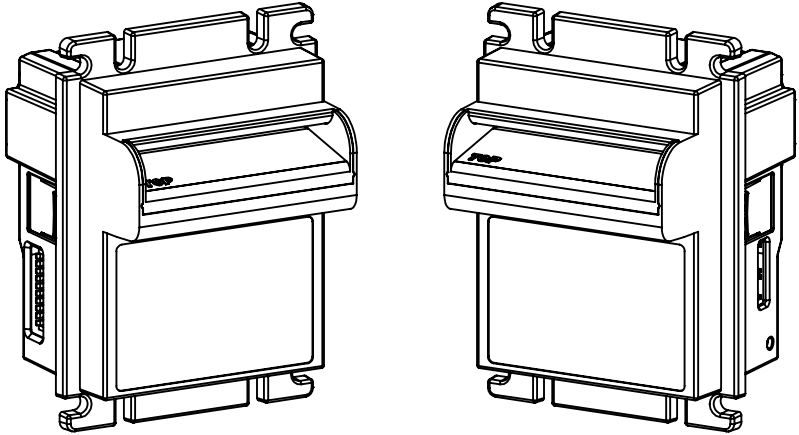


TB77

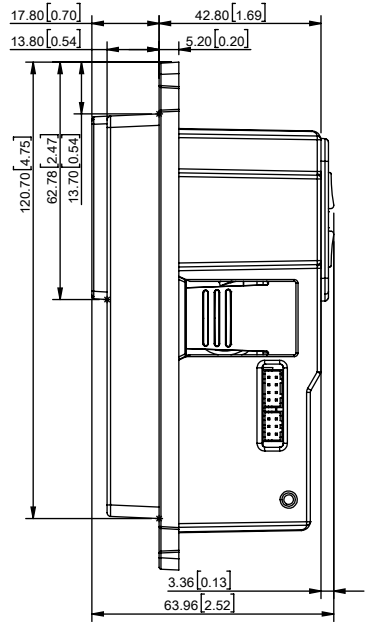
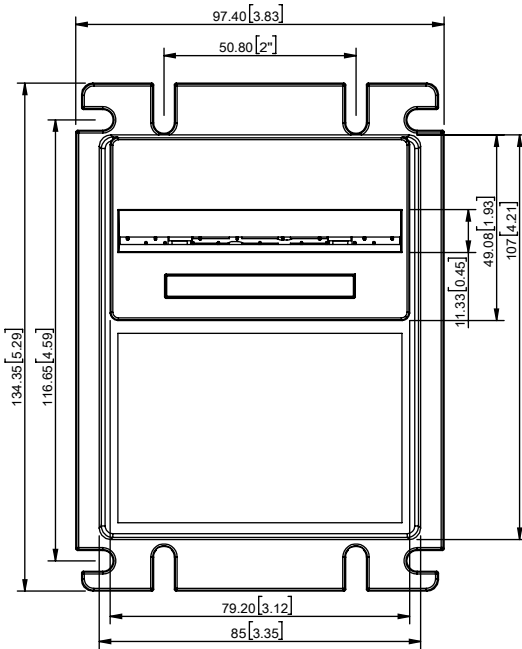
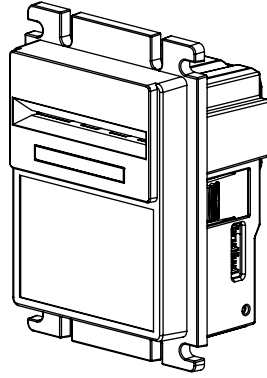
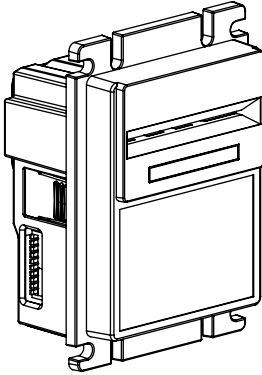




TB74-U / TB77-U



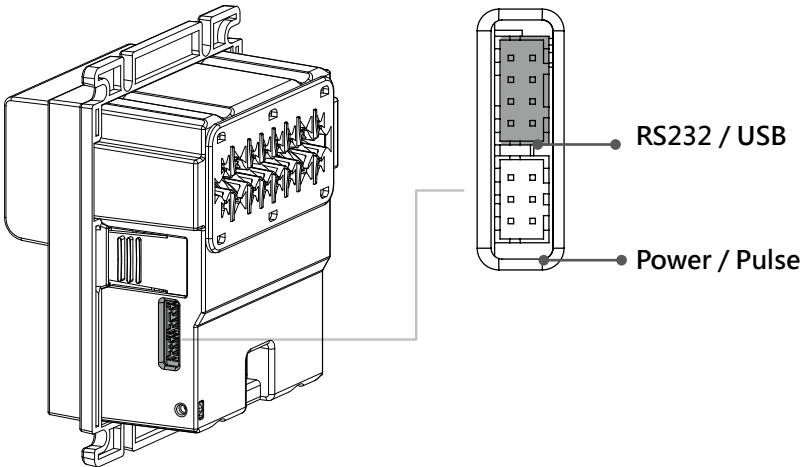
TB74-B



## 5. Installation

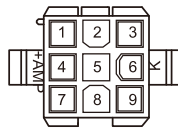
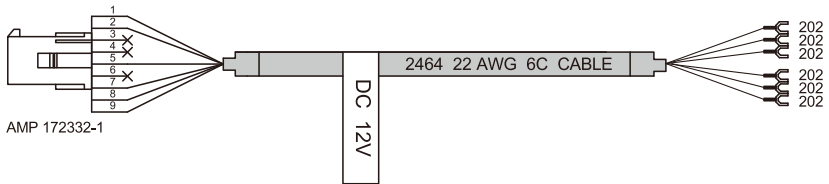
### 5-1. Harness Application

Interface	Voltage	Usage	Harness	Page
PULSE	12V DC	Extension Wire	CU-R961-1	8
	12V DC	Power & Data Comm.	WEL-R7U02	9
RS232	12V DC	Extension Wire	CU-R961-1	8
	12V DC	Power	WEL-R7U02	9
	12V DC	Data Comm.	WEL-R7U06 (Purchase)	10
USB	12V DC	Extension Wire	CU-R961-1	8
	12V DC	Power & Data Comm.	WEL-R7U02	9
		Data Comm.	2WIR-CP2102N--00 (Purchase)	11



# HARNESS FORMAT

## CU-R961-1



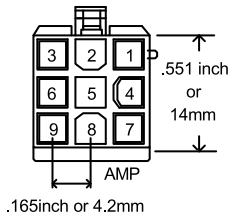
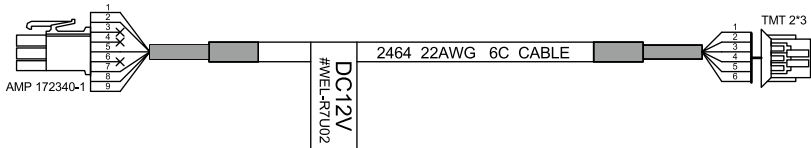
AMP 172332-1  
BACK VIEW

PIN NO	COLOR	PIN DEFINE
PIN1	YELLOW	INHIBIT+
PIN2	GREEN	INHIBIT-
PIN5	RED	+12V DC
PIN7	BLUE	METER+
PIN8	PURPLE	METER-
PIN9	ORANGE	GND

**Topvme**

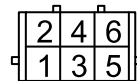
# HARNESS FORMAT

## WEL-R7U02



AMP 172340-1 BACK VIEW

PIN NO	COLOR	PIN DEFINE
PIN1	YELLOW	INHIBIT +
PIN2	GREEN	INHIBIT-
PIN5	RED	+12V DC
PIN7	BLUE	METER+
PIN8	PURPLE	METER-
PIN9	ORANGE	GND

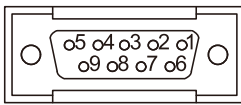
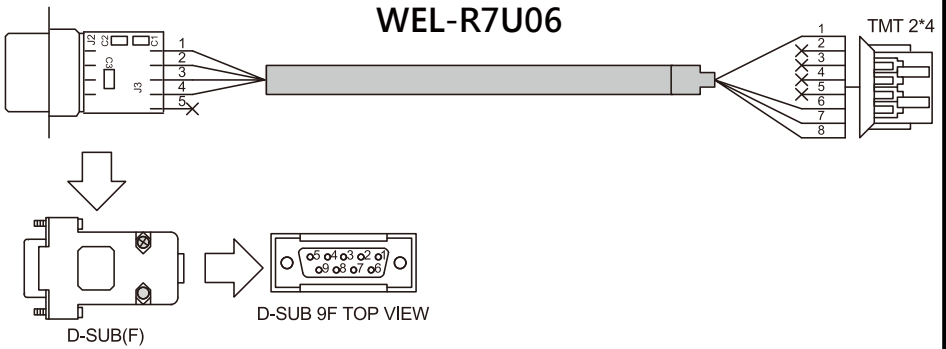


TMT 2\*3 BACK VIEW

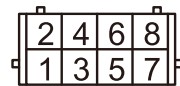
PIN NO	COLOR	PIN DEFINE
PIN1	RED	+12V DC
PIN2	ORANGE	GND
PIN3	YELLOW	INHIBIT +
PIN4	GREEN	INHIBIT-
PIN5	BLUE	METER+
PIN6	PURPLE	METER-

**Topvme**

# HARNESS FORMAT



PIN NO	PIN DEFINE
PIN2	TXD
PIN3	RXD
PIN5	GND



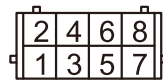
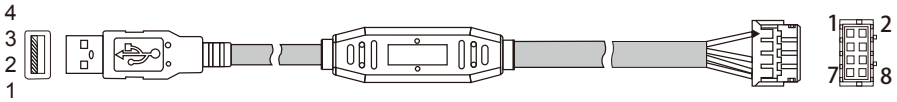
**TMT 2\*4 BACK VIEW**

PIN NO	COLOR	PIN DEFINE
PIN1	BLUE	GND
PIN6	WHITE	VCC
PIN7	BLACK	RXD
PIN8	PURPLE	TXD

**Topvme**

# HARNESS FORMAT

2WIR-CP2102N--00



TMT 2\*4 BACK VIEW

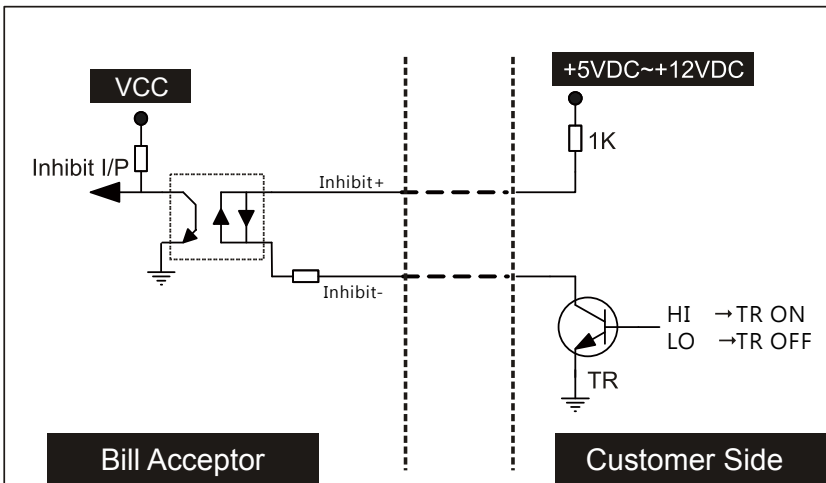
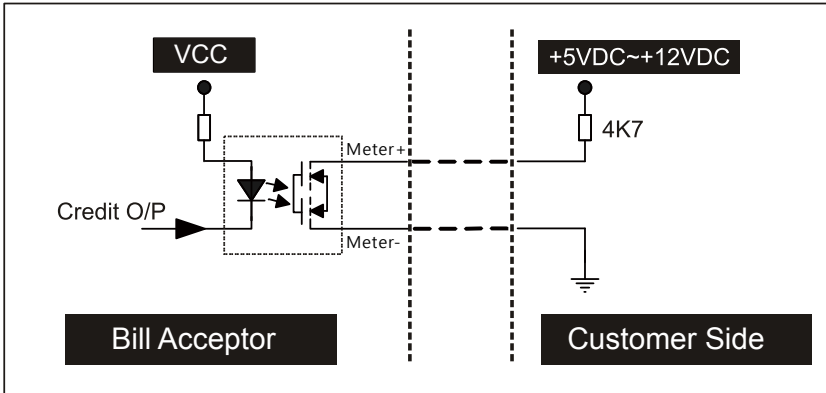
PIN NO	PIN DEFINE
PIN1	GND
PIN2	USB DP
PIN3	USB DM
PIN4	USB +5V

PIN NO	COLOR	PIN DEFINE
PIN1	BLUE	GND
PIN6	WHITE	NC
PIN7	BLACK	RXD
PIN8	PURPLE	TXD

**Topvme**

5-2.I/O Circuit

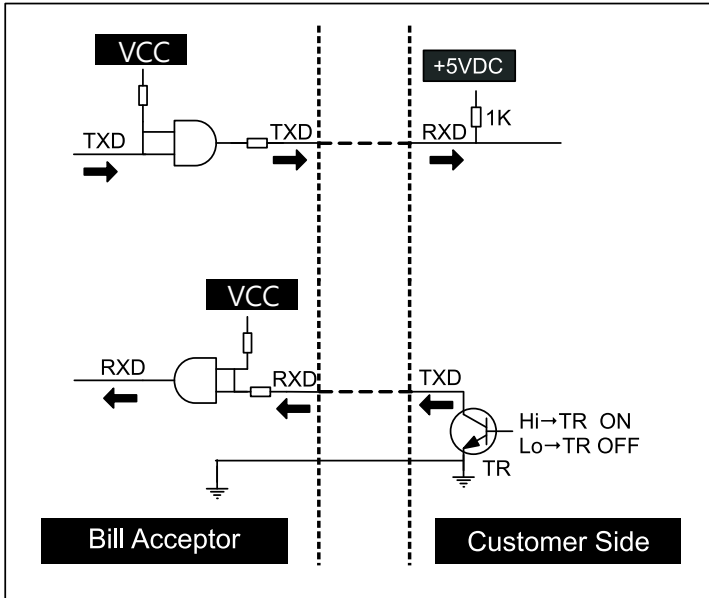
Pulse Interface



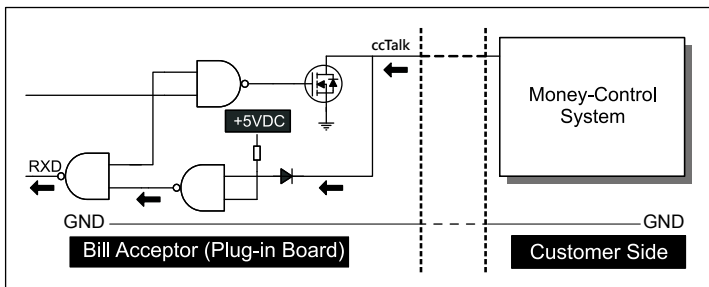
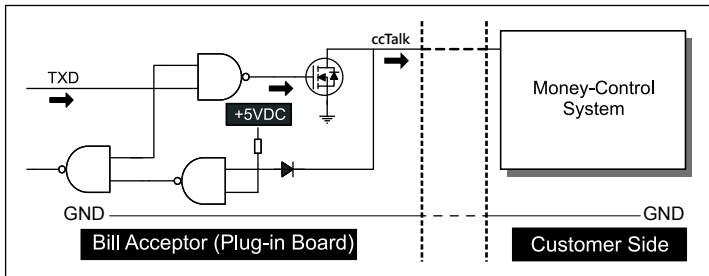
BA Status	DIP SW Setting		Control Signal
Inhibit	Inhibit Active	Low	Low
		High	High
Enable	Inhibit Active	Low	High
		High	Low



### RS232 Interface

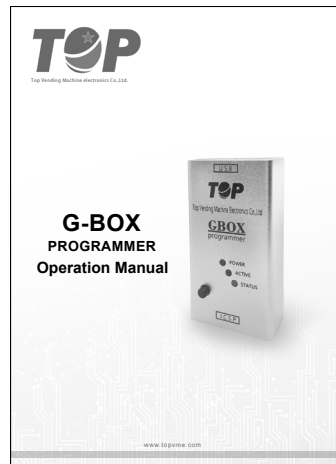
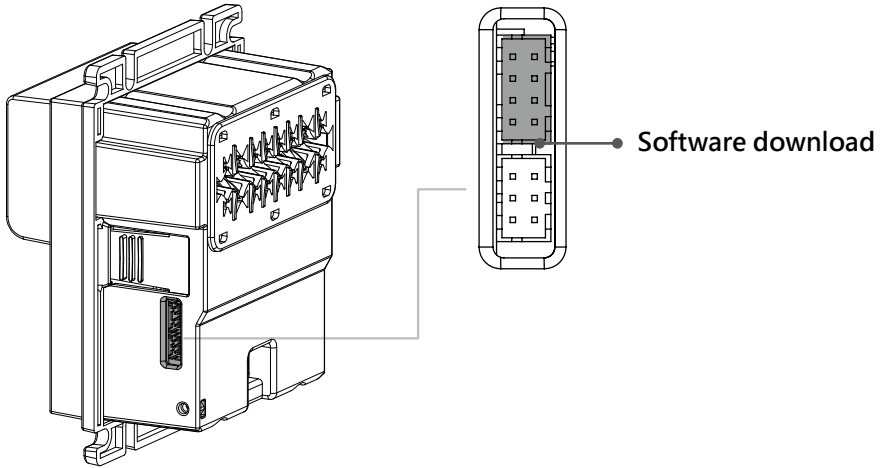


### ccTalk Interface



### 5-3. Software download

Please refer to the G-BOX instruction manual for the download manual. You can obtain it from your local agent or contact us at the [service@topvme.com.tw](mailto:service@topvme.com.tw).

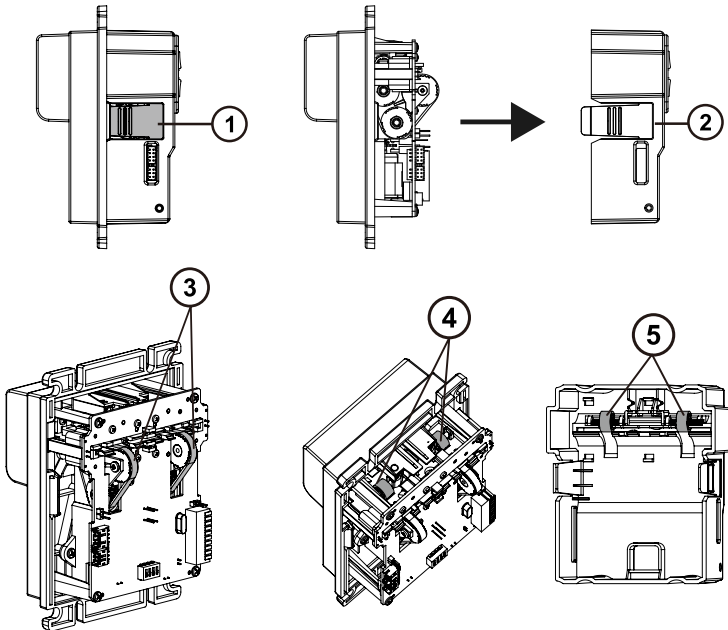


## 6.Maintenance

Foreign objects on the LED or sensor may cause bill jamming and decrease acceptance rate. To make sure the bill acceptor always works smoothly, please clean the internal parts regularly.(Recommended every 4-6 months)

Please follow the steps below to clean the inside of the machine:

1. Turn off the Bill Acceptor power.
2. Open the back cover assembly (1, 2) as indicated below.
3. Clean the belt (3) and the rollers (4, 5) with a soft dry cloth or towel.



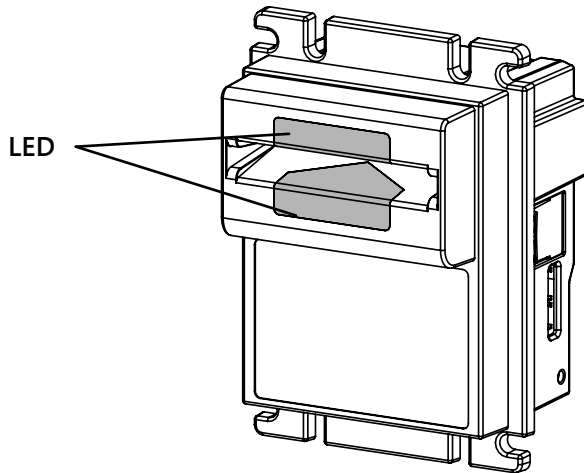
**Maintenance Notice**  
(Any improper maintenance will result invalid warranty.)

**Recommended** Mild, non-abrasive, a small amount of soapy water.

**DO NOT USE** Organic solvent, Alcohol, Volatile liquid.

## 7.Troubleshooting

LED Flashes		Status	Corrective Actions
Color	Frequency		
Red	1	Bill Jammed	Check the banknote path and clear any obstruction.
	2	Disable	Check if the DIP switch setting is correct
	3	LED error	View and remove foreign objects on the sensor and Bill path
	3+2	Out Sensor/LED error	View and remove foreign objects from the anti-theft hook
	3+4	Fishing LED/Sensor error	View and remove foreign objects on the sensor and Bill path
	4	A stringing attempt has detected	View and remove foreign objects on the sensor and Bill path
	7	Motor error	Contact dealer
Yellow	1	Identify UV Led error	Clear channel dirty
Blue	1	Input Led or sensor Interfered	Remove light interference
Purple	1	Fishing Led or sensor Interfered	Remove light interference



If the error can not be solved after corrective actions or happen again, please contact TOP for technical support.







Top Vending Machine Electronics Co., Ltd.

NO.11, Anzhong St., Luzhu Dist., Taoyuan City338, Taiwan, (R.O.C.)

Phone : +886-3-3115969 · Fax : +886-3-3115970

E-mail : [sales@topvme.com.tw](mailto:sales@topvme.com.tw)

Website : [www.topvme.com](http://www.topvme.com)

No.4007-TBS0000001



Top Vending Machine Electronics Co., Ltd.



[www.topvme.com](http://www.topvme.com)